

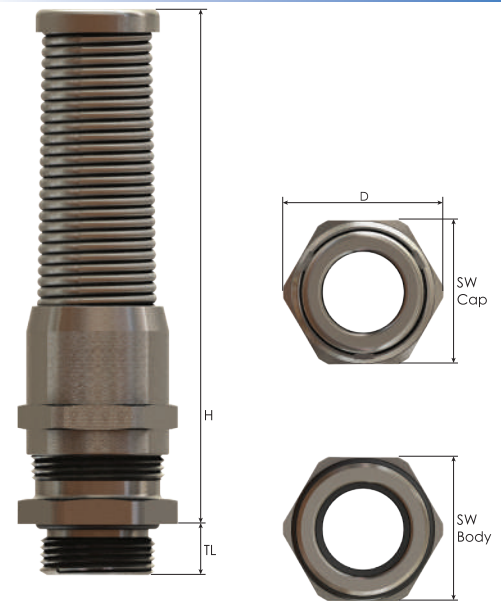
Cable Protection Glands Brass

Cable protection glands with lamellar clamping, brass

- For cable bending protection.
- Easy assembly.
- High quality strain relief and sealing, reliable performance for standard industrial applications.

Technical Details

	Body, Cap	Brass, Nickel plated	
	Seal	CR (Chloroprene)	
Material	Clamping Insert	PA 6 (Polyamide 6)	
	Bending Spiral	Stainless steel (AISI 301)	
	O-ring	NBR	
	Ingress Protection Rating	IP 68 - 5 Bar, 30 min	
	Flammability	V2 according to UL94	
Operating Temperature	Permanent	-20 °C to +100 °C	
	Intermittent	-40 °C to +150 °C	
Thread Type	<ul style="list-style-type: none"> • Metric EN 60423 • PG DIN 40430 • Other thread types also available upon request. 		
Cable Type	Non armoured		
Accessories	<ul style="list-style-type: none"> • Lock nuts • Reducing seals • Flat cable seals • Multihole seals • Gaskets (Washers) 		
	<ul style="list-style-type: none"> • Different sealing types available. • Manufactured according to DIN EN 62444/50262. 		
Remarks	<ul style="list-style-type: none"> • We recommend the use of lock nuts and gaskets to ensure IP rating for rough surfaces or through holes. • O-ring available in Metric and PG threads. • Accessories must be ordered separately. 		



Thread Type METRIC acc. to EN 60423

Outer Thread Size (Male)	Clamping Range Ø min-max mm	Outer Thread Length TL mm	Spanner Width		Outer Ø D mm	max. Height		Part Number	Minimum Order Quantity
			Cap SW Cap mm	Body SW Body mm		H mm			
M12x1,5	3,0 - 6,5	6,0	14	14	15,5	60,0		BMBCSP-05	400
	3,0 - 7,0	6,5	20	20	22,0	77,0		BMBDSP-01	300
M16x1,5	5,0 - 10,0	6,5	20	20	22,0	77,0		BMBCSP-01	300
	5,0 - 9,0	8,0	22	22	24,5	87,0		BMBDSP-02	200
M20x1,5	6,0 - 12,0	8,0	22	22	24,5	87,0		BMBCSP-02	200
	10,0 - 14,0	8,0	24	24	26,5	91,5		BMBCSP-02S	150
M25x1,5	7,0 - 12,0	8,0	24	27	30,0	91,5		BMBDSP-03	150
	10,0 - 14,0	8,0	24	27	30,0	91,5		BMBCSP-03	150
M32x1,5	9,0 - 16,0	9,0	30	34	37,5	96,0		BMBDSP-04	150
	13,0 - 18,0	9,0	30	34	37,5	96,0		BMBCSP-04	150

Thread Type PG acc. to DIN 40430

Outer Thread Size (Male)	Clamping Range Ø min-max mm	Outer Thread Length TL mm	Spanner Width		Outer Ø D mm	max. Height		Part Number	Minimum Order Quantity
			Cap SW Cap mm	Body SW Body mm		H mm			
PG 11	3,0 - 7,0	6,0	20	20	22,0	73,5		BSBDSP-03	300
	5,0 - 10,0	6,0	20	20	22,0	73,5		BSBCSP-03	300
PG 13,5	5,0 - 9,0	6,5	22	22	24,5	86,0		BSBDSP-04	200
	6,0 - 12,0	6,5	22	22	24,5	86,0		BSBCSP-04	200
PG 16	7,0 - 12,0	6,5	24	24	26,5	91,5		BSBDSP-05	150
	10,0 - 14,0	6,5	24	24	26,5	91,5		BSBCSP-05	150
PG 21	9,0 - 16,0	7,2	30	30	33,0	96,5		BSBDSP-06	150
	13,0 - 18,0	7,2	30	30	33,0	96,5		BSBCSP-06	150